



Produced in Germany,  
the hotspot for solar technology



TUV Power controlled:  
Lowest measuring tolerance in industry



25 year performance warranty and  
5 year product warranty



### World class quality

SolarWorld produces the best products with the highest quality, manufactured according to German and US quality standards in fully-automated ISO 9001 and 14001 certified factories.

### TUV “Power controlled”

With the new TUV Rheinland test “Power controlled” it is guaranteed that the performance indicated for a Sunmodule solar panel is being met and that it is regularly monitored by the independent test service provider, TUV Rheinland. This additional security for investors and consumers is a further testament of SolarWorld’s commitment to comprehensive quality assurance.

### Outstanding products

SolarWorld’s modules were assessed by the ÖKO-TEST consumer magazine as “excellent”.

### An experienced industry leader

With over 30 years of experience in off-grid solar applications – SolarWorld delivers top products and technical experience at the highest levels. Our modules are installed in over 100,000 Telecom/Industrial systems worldwide. Nobody else comes close.



# SW 130/140 poly R6A

## PERFORMANCE UNDER STANDARD TEST CONDITIONS (STC)\*

		SW 130	SW 140
Maximum power	$P_{max}$	130 Wp	140 Wp
Open circuit voltage	$U_{oc}$	21.5 V	22.1 V
Maximum power point voltage	$U_{mpp}$	17.4 V	18.0 V
Short circuit current	$I_{sc}$	7.99 A	8.35 A
Maximum power point current	$I_{mpp}$	7.49 A	7.85 A

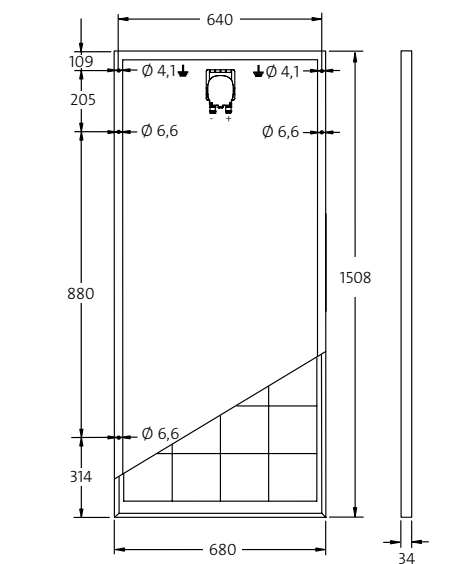
Measuring tolerance ( $P_{max}$ ) traceable to TUV Rheinland: +/- 2% (TUV Power controlled)

\*STC: 1000W/m<sup>2</sup>, 25°C, AM 1.5

## PERFORMANCE AT 800 W/m<sup>2</sup>, NOCT, AM 1.5

		SW 130	SW 140
Maximum power	$P_{max}$	94.6 Wp	102.1 Wp
Open circuit voltage	$U_{oc}$	19.8 V	20.0 V
Maximum power point voltage	$U_{mpp}$	15.8 V	16.3 V
Short circuit current	$I_{sc}$	6.44 A	6.73 A
Maximum power point current	$I_{mpp}$	5.99 A	6.28 A

Minor reduction in efficiency under partial load conditions at 25°C: at 200 W/m<sup>2</sup>, 95% (+/-2%) of the STC efficiency (1000 W/m<sup>2</sup>) is achieved.



### DIMENSIONS

Length	1508 mm
Width	680 mm
Height	34 mm
Frame	Aluminum
Weight	11.8 kg

### COMPONENT MATERIALS

Cells per module	36
Cell type	Poly crystalline
Cell dimensions	156 mm x 156 mm
Front	tempered glass (EN 12150)

### THERMAL CHARACTERISTICS

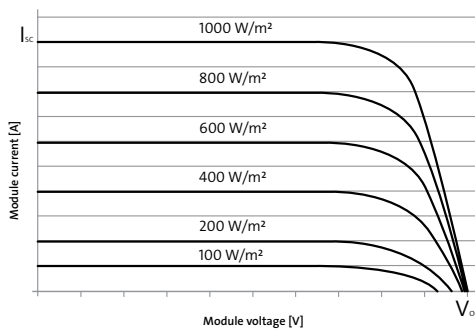
NOCT	46 °C
TC $I_{sc}$	0.081 %/K
TC $U_{oc}$	-0.37 %/K
TC $P_{mpp}$	-0.45 %/K

### ADDITIONAL DATA

Power sorting	+/- 5 %
J-Box	IP65

### PARAMETERS FOR OPTIMAL SYSTEM INTEGRATION

Maximum system voltage SC II	1000 V
Maximum reverse current	15 A
Number of bypass diodes	2



SolarWorld AG reserves the right to make specification changes without notice.  
This data sheet complies with the requirements of EN 50380.  
1) UL listing depending on the market.



- Qualified, IEC 61215
- Safety tested, IEC 61730
- Periodic Inspection
- Power Controlled

